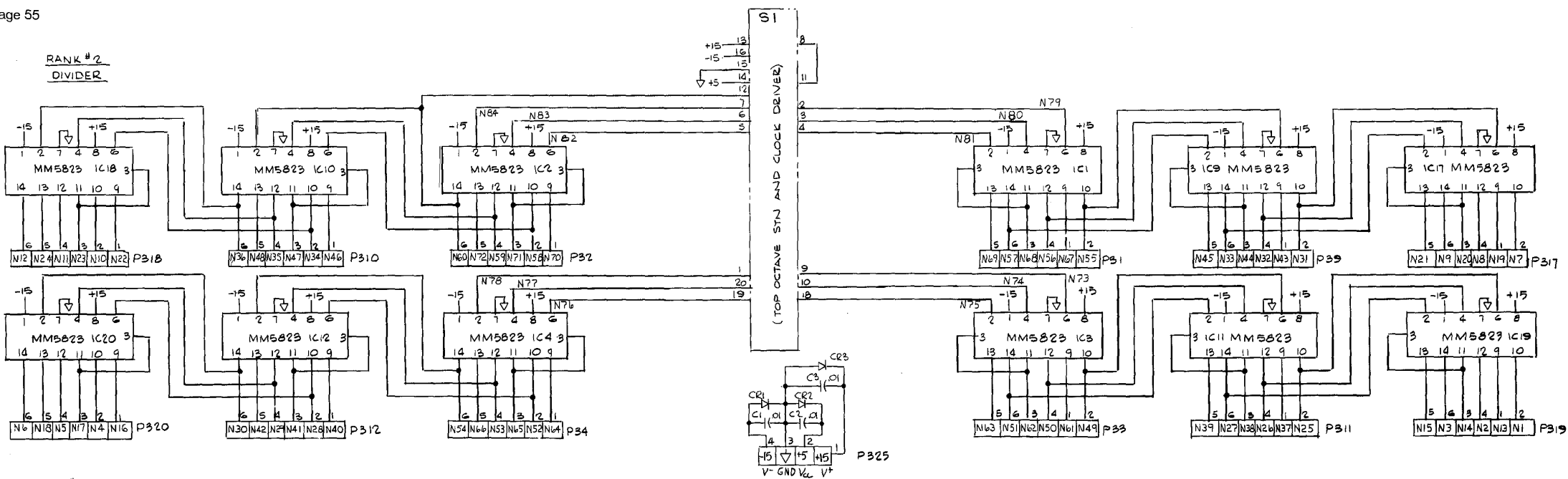
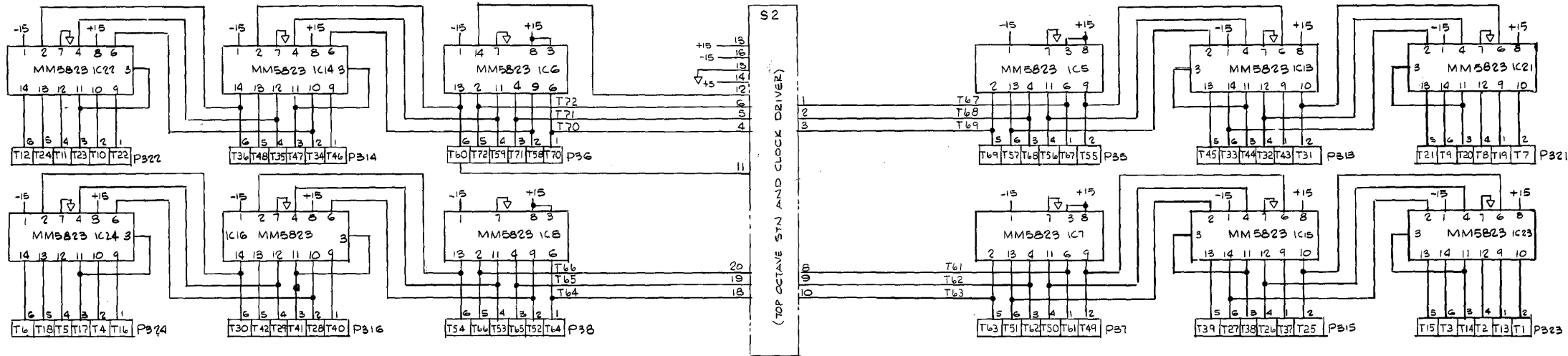


RANK #2
DIVIDER



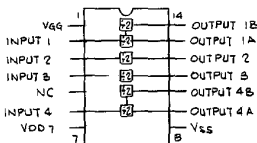
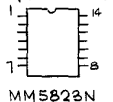
RANK #1
DIVIDER



- NOTES:
UNLESS OTHERWISE SPECIFIED-
1. ALL CAPACITOR VALUES ARE IN MFD (uF)
2. ALL DIODES ARE IN4004
3. N AND T SUFFIXES INDICATE NOTE NUMBER,
1 BEING LOWEST NOTE ON KEYBOARD.

COMPONENT BASING

(TOP VIEW)



BOARD #3